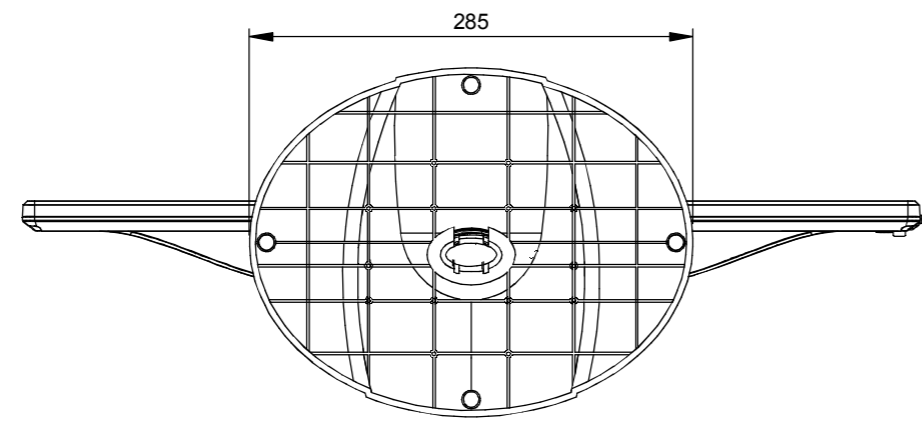
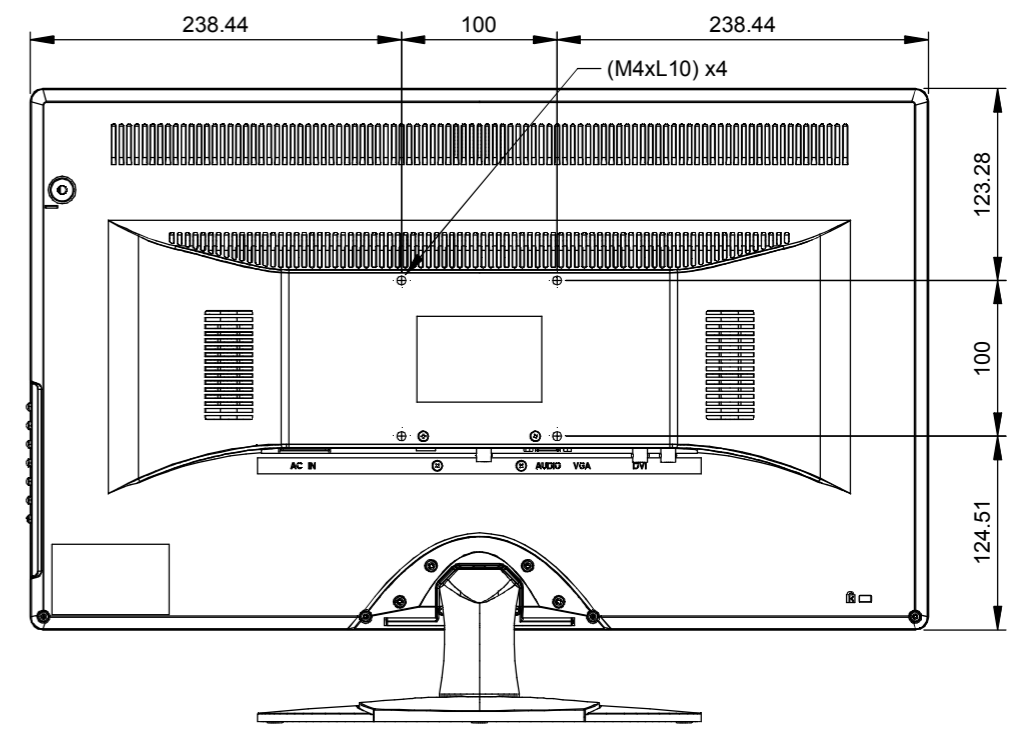
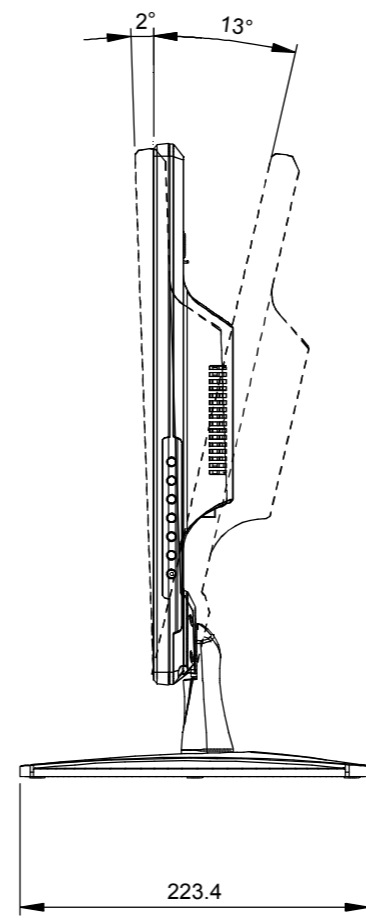
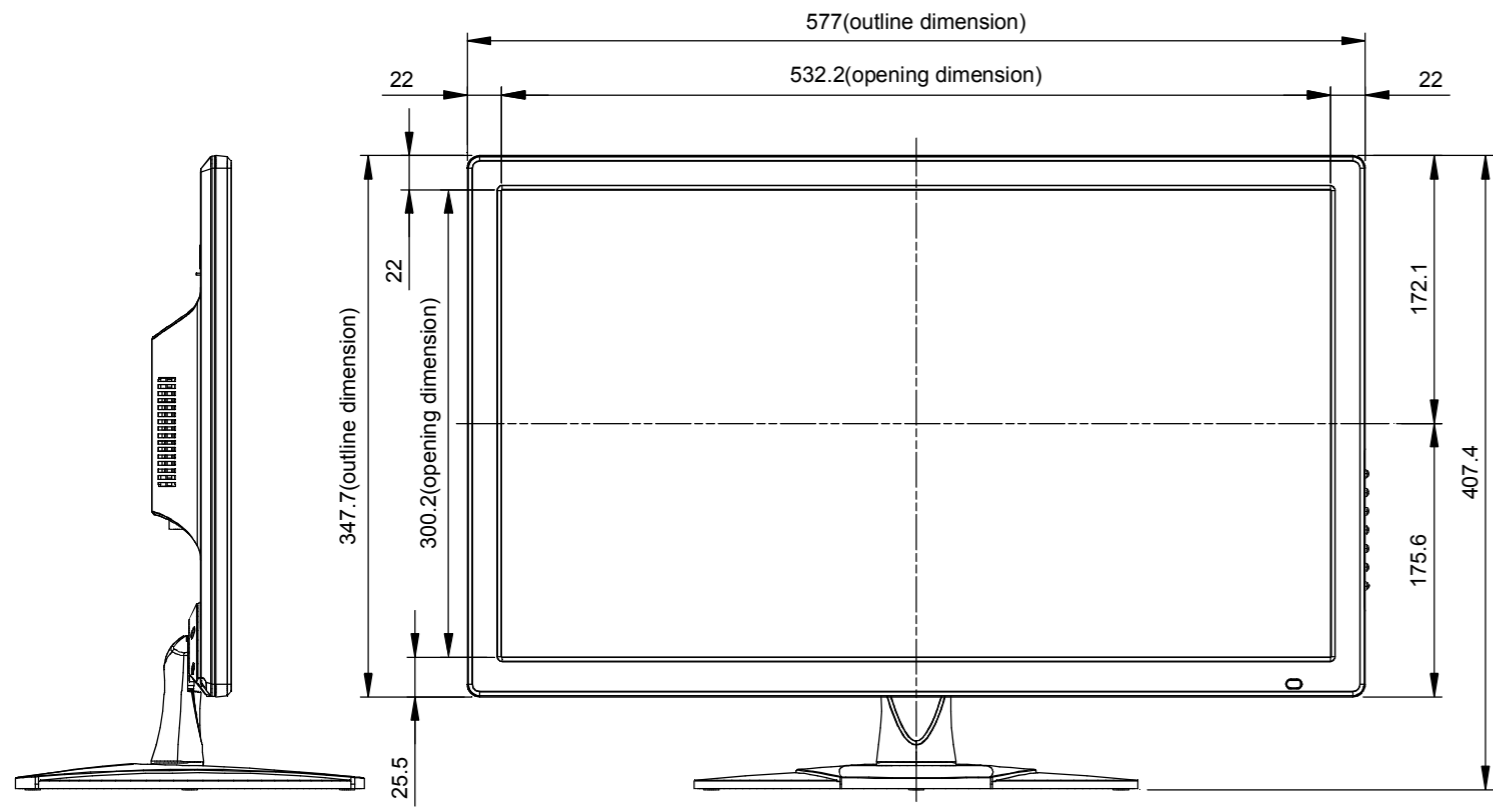

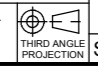


SC-24AH  
 Net Weight: 3.6kg (with stand)  
 3.36kg (w/o stand)



SPECIFICATIONS SUBJECT TO CHANGE WITHOUT NOTICE.

 <a href="http://www.agneovo.com">www.agneovo.com</a>	Model Name:						
	<b>SC-24AH</b>						
<small>THIS DRAWING ON THIS PRINT AND INFORMATION BELONG WITH AG Neovo. ANY REPRODUCTION IN PART OR WHOLE WITHOUT WRITTEN PERMISSION OF AG Neovo IS PROHIBITED.</small>		<table border="1"> <tr> <td>SCALE</td> <td>1:1</td> <td>UNITS</td> <td>MM</td> <td>V.01</td> </tr> </table>	SCALE	1:1	UNITS	MM	V.01
SCALE	1:1	UNITS	MM	V.01			