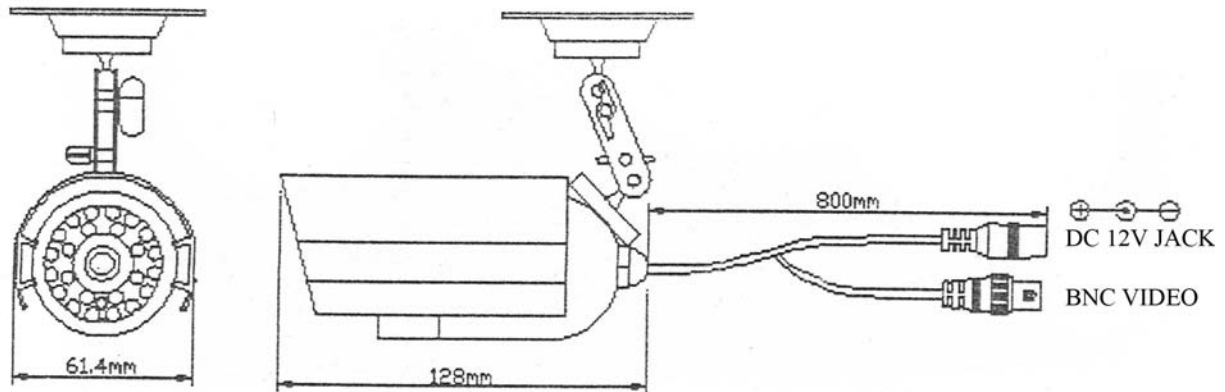


Waterproof IR B/W Camera

ITEM No:B3631



• Caution for Installation

1. In order to prevent electronic shock and/or destroy waterproof, don't loosen any screws and/or covers.
2. Adjust the sunshade cover to avoid sunlight shoot the lens directly.
3. Do not directly touch the front glass. If necessary, use a soft cloth moistened with alcohol to wipe off the dust.
4. Avoid places where there are frequent vibrations or shocks.
5. Don't operate the camera beyond its temperature, power source ratings.
6. When any abnormalities happen, make sure to unplug the camera and contact your local dealer.

1. 2. 3. 4. 5. 6.

Packing

Camera	X1
User Manual	X1
Bracket	X1
Screw	X4
Plastic-Conical-Anchor	X4
Mounting drawing paper	X1

Specification

ITEM	B3631
TYPE	B/W
PICKUPDEYICE	1/3" LG CCD Image Sensor
PICTURE ELEMENTS H*V	CCIR:510*510-EIA510*580
HORIZONTAL RESOLUTION	More than 420 TV Lines
SCANNING SYSTEM	2:1 Interlace
MINI ILLUMINATION	1,0 Lux
SYNCHRIZATION	Interna!
S/N RATIO	More than 50dB
ELECTRONIC SHUTTER	1/100,000s
Black Light Compensation	Auto
Auto Gain Control	OFF
IRLED	24 Pcs (850nm)
LENS	3,6mm Board Lens
GAMMA	0.45
VIDEO OUTPUT	1 Vp-p,75 Q
IREFFECTAREA	(5-30m), 50°(Outdoor)
POWER SUPPLY	DC12V(±10%)
CURRENT CONSUMPTION	300mA(MAX)
WATERPROOF	IP66
Dimension	61.4x128mm
WEIGHT	580g
STORAGE TEMPERATURE	-30 ~ + 60°C
OPERATING TEMPERATURE	-10~ + 45°C

Remark: Non-regulative adaptor may cause camera damaged.