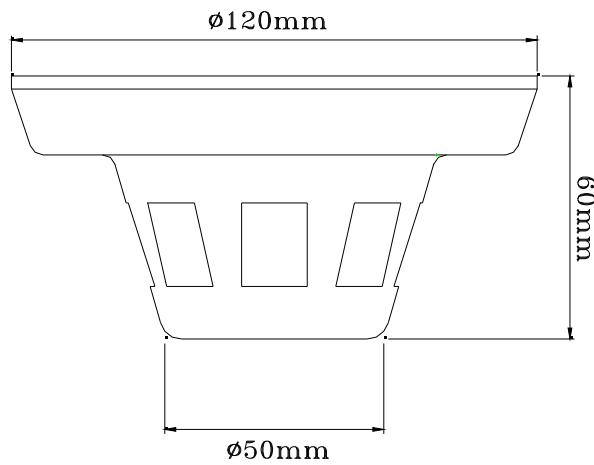
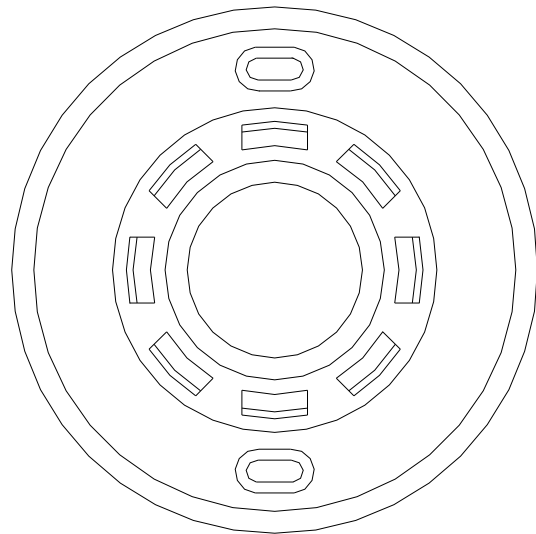


YOKO 1/3" B/W CCD SMOKE-DETECTOR HIDDEN CAMERA

MODEL: YK-3641(A) & YK-3643(A) (Preliminary)



Side View



Top View

FEATURES

- B/W camera with SONY 1/3" Super HAD CCD sensor hid in smoke-detector.
- Adjustable up & down lens view angle.
- Pixel number: EIA=270K / CCIR=320K (Normal-Resolution)
EIA=380K / CCIR=440K (High-Resolution)
- High sensitivity, low smear, high anti-blooming.
- Auto Electronic Shutter (AES), Auto Gain Control (AGC), optional audio function.
- Low price, built-in with corn type pinhole lens, economical, aesthetic.
- Furnished with DC power cable and video cable.
- DC type, low power consumption.
- Easy to install, easy to use.

SPECIFICATIONS (Note: Design and specifications are subject to change without prior notice.)

Model No.	YK-3641(A)	YK-3643(A)
Image Pick-up Device	SONY 1/3"Normal-Resolution Super HAD CCD	SONY 1/3" High-Resolution Super HAD CCD
Effective Picture Elements	EIA:510*492, CCIR: 500*582 (H*V)	EIA:768*494, CCIR: 752*582 (H*V)
Horizontal Resolution	420 horizontal TV lines	600 horizontal TV lines
Minimum Illumination	0.1 LUX @ F2.0	0.2 LUX @ F2.0
S/N Ratio	More than 48dB	
Auto Electronic Shutter	EIA:1/60s~1/100,000s, CCIR:1/50s~1/110,000s.	
Auto Gain Control	Yes	
Scanning System	Interlace 2:1	
Gamma Characteristic	0.45	
Lens Furnished	Corn lens f 3.7 mm @F2.0	
View angle adjustment	Horizontal 0° ~ Downward 35°	
Synchronous System	Internal, Negative sync.	
Video Output	1 Vp-p / 75 Ohms. BNC or F connector.	
Audio Output (optional)	2 Vp-p / 50 Ohms. RCA connector.	
Power Supply	12V DC ±10	
Power Consumption	1.4W (DC 12V / 110mA)	
Operating Temp.	-10 to 50 (14 to 122)	