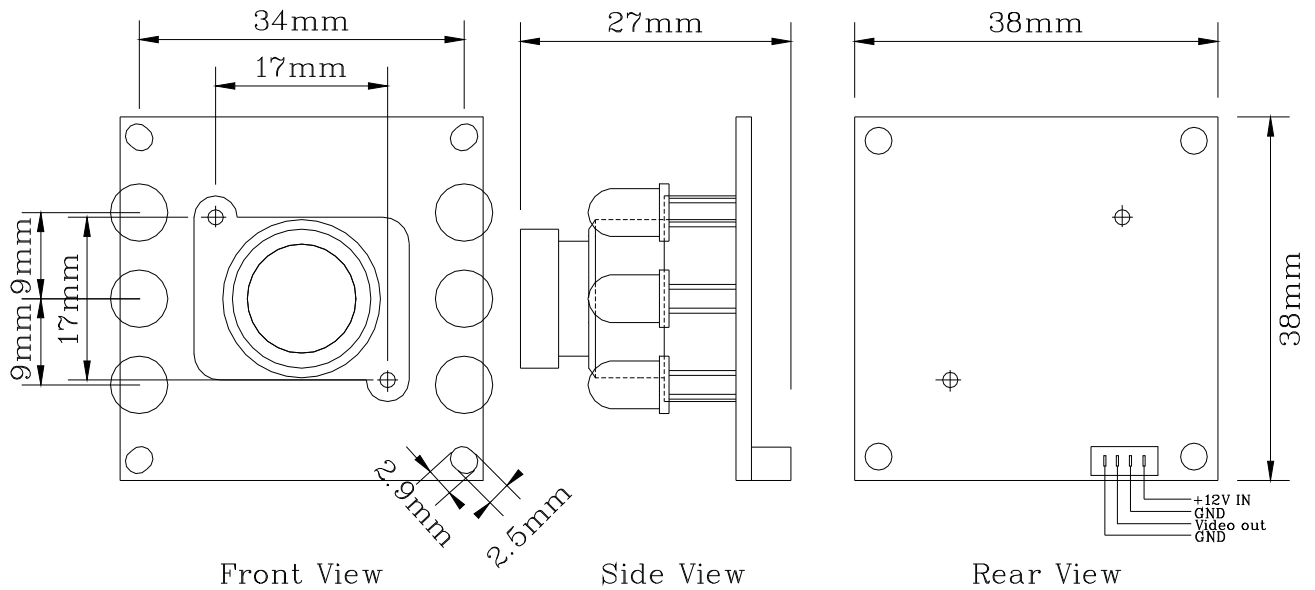


# YOKO 1/3" B/W CCD CAMERA PC BOARD

MODEL: YK-3045L



## FEATURES

- ❑ B/W camera PCB Module with 1/3" CCD Sensor.
- ❑ High sensitivity, low smear, blooming suppression.
- ❑ Auto Electronic Shutter (AES), Auto Gain Control (AGC).
- ❑ Economical, furnished with Board lens.
- ❑ Furnished with 4 pins power & signals connecting wire.
- ❑ Small size: 38mm x 38mm.
- ❑ DC type, low power consumption.
- ❑ Built-in 6 IR-LEDS.

## SPECIFICATIONS (Note: Design and specifications are subject to change without prior notice.)

<b>Image Pick-up Device</b>	1/3" interline transfer CCD Sensor.
<b>Effective Picture Elements</b>	EIA: 510*492, CCIR: 500*582 (H*V)
<b>Horizontal Resolution</b>	400 horizontal TV lines
<b>Minimum Illumination</b>	0 LUX, with built-in IR-LEDS.
<b>S/N Ratio</b>	More than 48 dB
<b>Auto Electronic Shutter</b>	EIA: 1/60s ~ 1/100,000s, CCIR: 1/50s ~ 1/110,000s.
<b>Auto Gain Control</b>	Yes.
<b>Scanning System</b>	Interlace 2:1
<b>Gamma Characteristic</b>	0.45
<b>Lens Furnished</b>	Board Lens f3.6 mm / F2.0 (optional: f2.5 / 4.3 / 6.0 / 8.0 / 12 mm)
<b>Synchronous System</b>	Internal, Negative sync.
<b>Video Output</b>	1 Vp-p / 75 Ohms.
<b>Power Supply</b>	12V DC / 200 mA
<b>Operating Temp.</b>	-10 to 50 (14 to 122 )
<b>Dimensions</b>	38 mm(L) * 38 mm (W) * 27 mm(H)
<b>Weight</b>	15 g