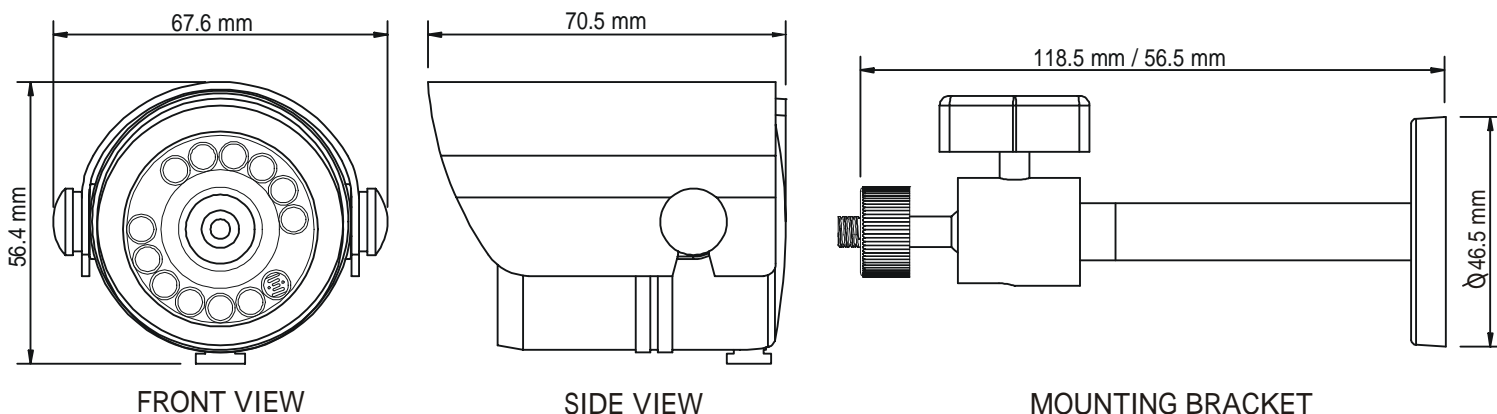


YOKO 1/3" COLOR CCD with IR-LED CAMERA

MODEL: YK2B49

2004/7/26



FEATURES

- Base on the SONY 1/3" Super HAD CCD sensor Color camera.
- Employs Digital Signal Processor (DSP) IC for image control.
- Total pixels of sensor: NTSC=270K / PAL=320K pixels.
- High sensitivity, low smear, excellent anti-blooming, and high S/N ratio.
- Supports functions: Auto Electronic Shutter (AES), Auto Gain Control (AGC), Auto White Balance (AWB).
- Economical solution, Includes Board Lens and furnished with mounting bracket.
- DC type power request, low power consumption.
- Built-in an infrared illuminant to assist for cameras in low illumination environment.
- Plug & Play. Installs easily and is suitable DIY (Do It by Yourself).
- Long life luminary with using special wavelength Infrared LED.
- Single power and signal connecting cable.
- Built-in environment illumination detection and control circuit that can turn-on/off the infrared illuminant automatically.
- Waterproofing criterion: IP67.

SPECIFICATIONS (Note: Design and specifications are subject to change without prior notice.)

Camera Module	
Image Pick-up Device	SONY 1/3" Super HAD CCD sensor
Effective Picture Elements	NTSC: 510×492, PAL: 500×582 (H×V)
Horizontal Resolution	380 Horizontal lines
Minimum Illumination	0.2 LUX @ F2.0
S/N Ratio	More than 48 dB
Auto Electronic Shutter	NTSC: 1/60s~1/100,000s, PAL: 1/50s~1/110,000s.
Auto Gain Control	YES.
Auto White Balance	Color Temperature: 2500K~9500K.
Scanning System	Interlace 2:1
Gamma Characteristic	0.45
Lens Furnished	Board Lens f3.6 mm / F2.0 (Optional: 4.3 / 6.0 / 8.0 / 12 mm)
Synchronous System	Internal, Negative sync.
Video Output	1 Vp-p / 75 Ohms.
Power consumption	12V DC±10 % 1.5 Watt.
IR Illuminator Module	
Infrared Luminary	12 pieces IR LED, Life: 6000 Hrs.
Wavelength	850 nm.
Beam Spread Angle	35°.
Illuminate Distance	10 M
Illuminator Active Limit	10 Lux.
Power consumption	12V DC±10 % 2 Watt. (IR-LED full ON)
System Device	
Power Supply	12V DC±10 % 3.5 Watt. (total Power consumption for CCD Camera & IR-LED full ON)
Operating Temp.	-10 to 50 (14 to 122)
Waterproofing criterion	IP 67