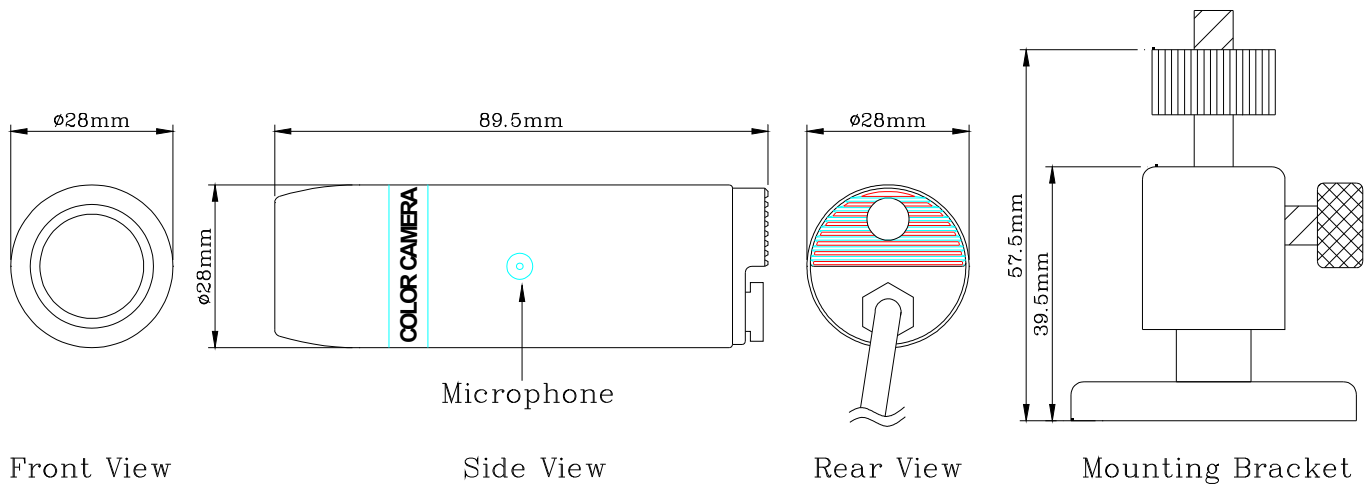


YOKO 1/4" COLOR CCD BULLET DSP CAMERA

MODEL: YK2739 & YK2739A



FEATURES

- COLOR camera with SONY 1/4" CCD sensor in bullet type case. (Color = white)
- Employs SONY Digital Signal Processor (DSP) IC for image control.
- Pixel number : NTSC=270,000 / PAL=320,000.
- Reduced fixed pattern noise and lag. No sticking and no image distortion. Excellent antiblooming. Low smear.
- Supports functions: Auto Electronic Shutter (AES), Auto Gain Control (AGC), Auto White Balance (AWB), built-in Audio (optional).
- Built-in anti-aliasing and IR-cut optical filter.
- Furnished with Mini Lens and Mounting Bracket.
- Furnished with DC power cable and video cable.
- DC type, low power consumption. Economical, aesthetic.
- YK2739: With weatherproof, without audio function.
- YK2739A: With audio function, without weatherproof.

SPECIFICATIONS *(Note: Design and specifications are subject to change without prior notice.)*

Image Pick-up Device	SONY 1/4" Super HAD CCD sensor
Effective Picture Elements	NTSC:510*492, PAL: 500*582 (H*V)
Horizontal Resolution	330 TV lines
Minimum Illumination	0.5 LUX @ F2.0
S/N Ratio	More than 48 dB
Auto Electronic Shutter	NTSC:1/60s~1/100,000s, PAL:1/50s~1/110,000s.
Auto Gain Control	Yes.
Auto White Balance	Color Temperature: 2500K~9500K.
Gama Characteristic	0.45
Synchronous System	Internal, Negative sync.
Video Output	1 Vp-p / 75 Ohms. BNC connector.
Audio Function (optional)	2 Vp-p / 50 Ohms. RCA connector. (for mode "A" only)
Power Supply	12V DC \pm 10%
Power Consumption	1.44W / 120mA
Lens Furnished	Board lens f 3.6 mm / F2.0 (optional: f 6.0 / 8.0 / 12 mm)
Operating Temp.	-10 to 50 (14 to 122)