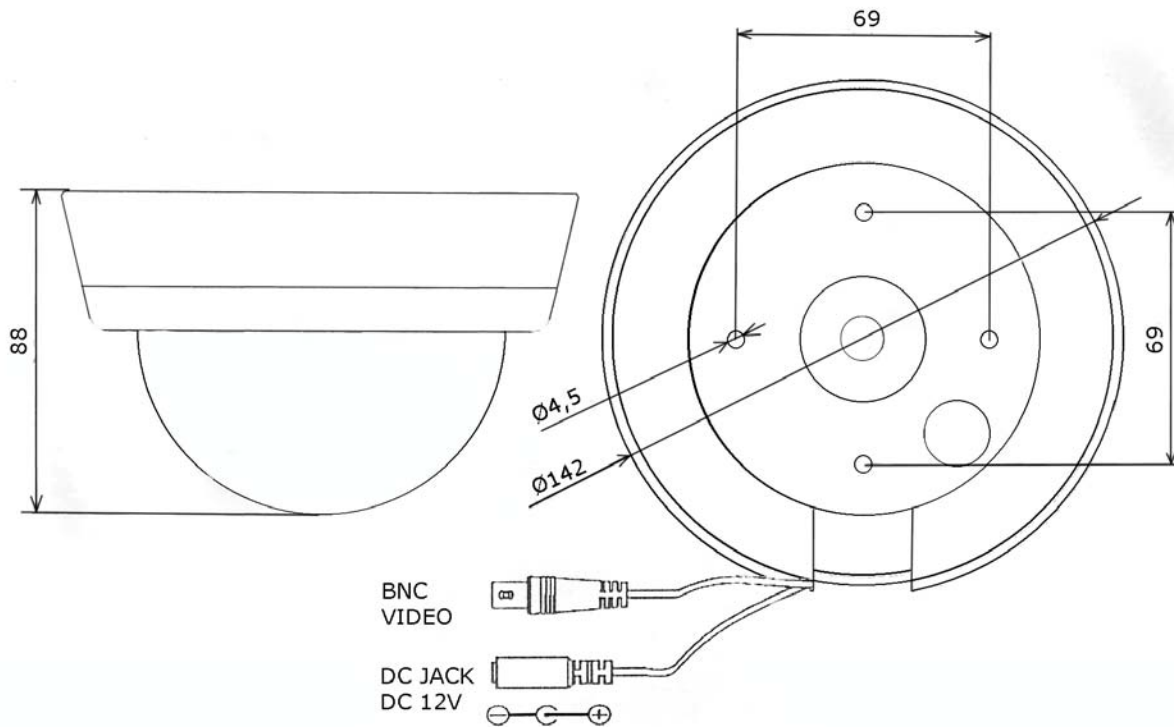


**KAMERY W OBUDOWIE KOPUŁKOWEJ ZEWNĘTRZNEJ WANDALOODPORNEJ
83K10**



MODE NO.	83K10N-10L		83K10P-10L
TV SYSTEM	NTSC		PAL
IMAGE SENSOR	1/3-inch CCD Image Sensor		
CCD TOTAL PIXELS	537(H) X 505(V)		537(H) X 597(V)
SCANNING SYSTEM	525 lines, 60 fields/sec		625 lines, 50 fields/sec
SYNC SYSTEM	Internal		
MINIMUM ILLUMINATION	0.3 Lux F1.2		5600°K (IR ON 0Lux)
LENS & VIEW ANGLE	6mm		
RESOLUTION	380 TVL / 470 TVL (Enhanced)		
WHITE BALANCE	Mode	ATW	
	Range	3200 ~ 10000 °K	
GAIN CONTROL	AGC		
S / N RATIO	52dB (MIN) / 60dB (TYP) (AGC OFF)		
ELECTRONIC SHUTTER	1/60~1/120,000 sec.		1/50~1/120,000 sec.
AUTO IRIS	AES		
B.L.C. FUNCTION	-----		
MIRROR FUNCTION	-----		
VIDEO OUTPUT	Composite 1.0V p-p at 75 ohm		
GAMMA CORRECTION	0.45		
OPERATION TEMPERATURE	-20°C TO 50°C		
OPERATIONAL HUMIDITY	within 85% RH		
POWER SUPPLY	DC 12V		

*The specifications and appearance of the product may changed without notice.

Dimension (Unit : mm)