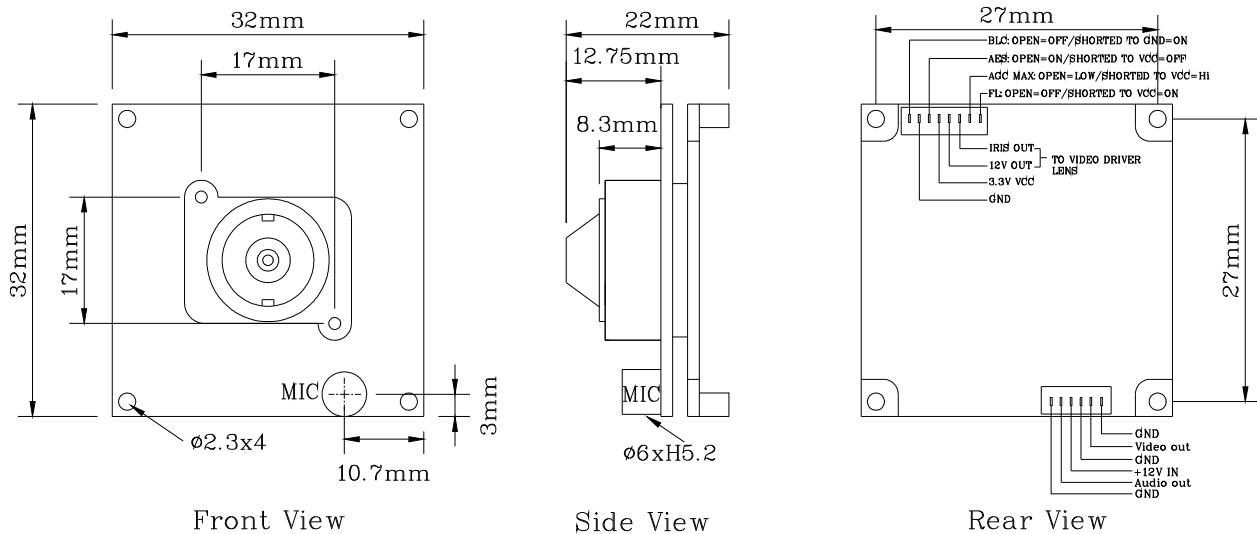


YOKO 1/4" COLOR CCD PC Board DSP CAMERA

MODEL: YK2048(A)



FEATURES

- COLOR camera PCB Module with SONY 1/4" Super HAD CCD sensor.
- Employs Digital Signal Processor (DSP) IC for image control.
- Pixel number : NTSC=270,000 / PAL=320,000.
- High sensitivity, low smear, excellent anti-blooming, and high S/N ratio.
- Supports functions: Auto Electronic Shutter (AES), Auto Iris Control (AIC), Auto Gain Control (AGC), Auto White Balance (AWB), Back Light Compensation (BLC), Flicker Less (FL), built-in Audio (optional).
- Built-in anti-aliasing and IR-cut optical filter.
- Furnished with Mini Lens.
- Furnished with power and signals connect wire.
- DC type, low power consumption. Economical, aesthetic.

SPECIFICATIONS *(Note: Design and specifications are subject to change without prior notice.)*

Image Pick-up Device	SONY 1/4" interline transfer CCD sensor
Effective Picture Elements	NTSC:510*492, PAL: 500*582 (H*V)
Horizontal Resolution	330 TV lines
Minimum Illumination	0.5 LUX @ F2.0
S/N Ratio	More than 48 dB
Auto Electronic Shutter	NTSC:1/60s~1/100,000s, PAL:1/50s~1/110,000s. ON / OFF Switch-able.
Auto Iris Control	Video-Drive Iris Control.
Auto Gain Control	High / Low Switch-able.
Auto White Balance	Color Temperature: 2500K~9500K.
Back Light Compensation	ON / OFF Switch-able.
Flicker Less Mode	ON/OFF Switch-able. Fix shutter speed: NTSC=1/100s, PAL=1/120s.
Gama Characteristic	0.45
Synchronous System	Internal, Negative sync.
Video Output	1 Vp-p / 75 Ohms.
Audio Function (optional)	2 Vp-p / 50 Ohms.
Power Supply	12V DC \pm 10%
Power Consumption	1.44W / 120mA
Lens Furnished	Corn-type Pin Hole Lens f 3.7 mm / F2.0 (optional: f 4.3 mm)
Operating Temp.	-10 to 50 (14 to 122)