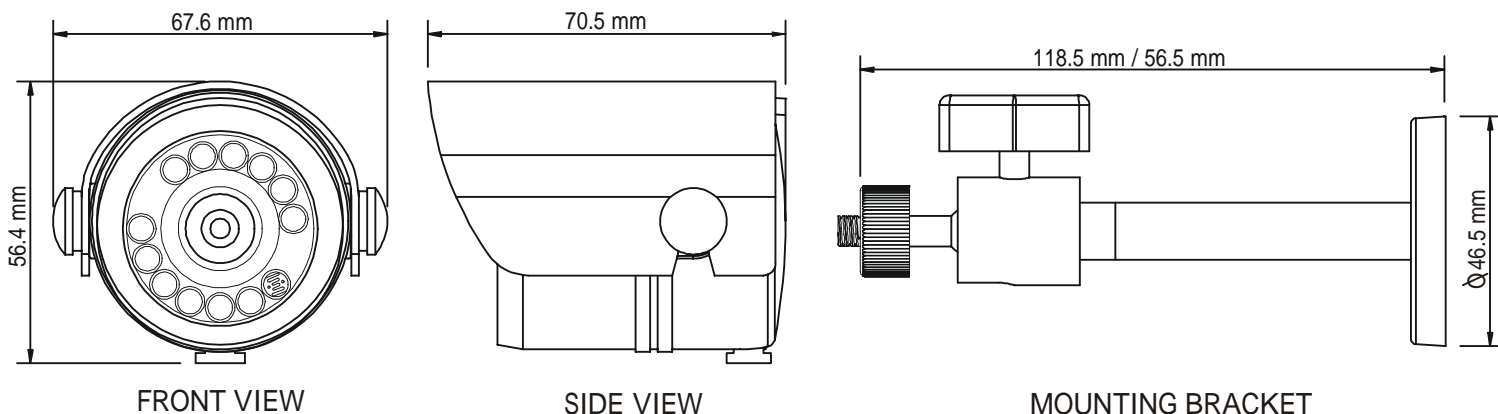


YOKO 1/3" B/W CCD with IR-LED CAMERA

MODEL: YK3B41 & YK3B43

2004/7/26



FEATURES

- Base on the SONY 1/3" Super HAD CCD Sensor B/W camera.
- Total pixels of sensor: EIA=270K / CCIR=320K Pixels (Normal-Resolution)
EIA=380K / CCIR=440K Pixels (High-Resolution)
- High sensitivity, low smear, high anti-blooming.
- Auto Electronic Shutter (AES), Auto Gain Control (AGC).
- Economical solution, Includes Board Lens and furnished with mounting bracket.
- DC type power request, low power consumption.
- Built-in an infrared illuminant to assist for cameras in low illumination environment.
- Plug & Play. Installs easily and is suitable DIY (Do It by Yourself).
- Long life luminary with using special wavelength Infrared LED.
- Single power and signal connecting cable.
- Built-in environment illumination detection and control circuit that can turn-on/off the infrared illuminant automatically.
- Easy to install, easy to use, aesthetic.
- Waterproofing criterion: IP67.

SPECIFICATIONS (Note: Design and specifications are subject to change without prior notice.)

Model Type	YK3B41	YK3B43
Image Pick-up Device	SONY 1/3" Super HAD CCD Sensor.	SONY 1/3" High Resolution Super HAD CCD Sensor.
Effective Picture Elements	EIA: 510x492, CCIR: 500x582 (HxV)	EIA: 768x494, CCIR: 752x582 (HxV)
Horizontal Resolution	420 horizontal TV lines	600 horizontal TV lines
Minimum Illumination	0.1 LUX @ F2.0	0.2 LUX @ F2.0
S/N Ratio	More than 48dB	
Auto Electronic Shutter	EIA: 1/60s ~ 1/100,000s, CCIR: 1/50s ~ 1/110,000s.	
Auto Gain Control	Yes.	
Scanning System	Interlace 2:1	
Gamma Characteristic	0.45	
Lens Furnished	Board Lens 3.6 mm / F2.0 (Optional: 4.3 / 6.0 / 8.0 / 12 mm)	
Synchronous System	Internal, Negative sync.	
Video Output	1 Vp-p / 75 Ohms.	
Power consumption	12V DC±10 % 1.4 Watt.	
IR Illuminator Module		
Infrared Luminary	12 pieces IR LED, Life: 6000 Hrs.	
Wavelength	850 nm.	
Beam Spread Angle	35°.	
Illuminate Distance	10 M	
Illuminator Active Limit	10 Lux.	
Power consumption	12V DC±10 % 2 Watt. (IR-LED full ON)	
System Device		
Power Supply	12V DC±10 % 3.4 Watt. (total Power consumption for CCD Camera & IR-LED full ON)	
Operating Temp.	-10 to 50 (14 to 122)	
Waterproofing criterion	IP 67	