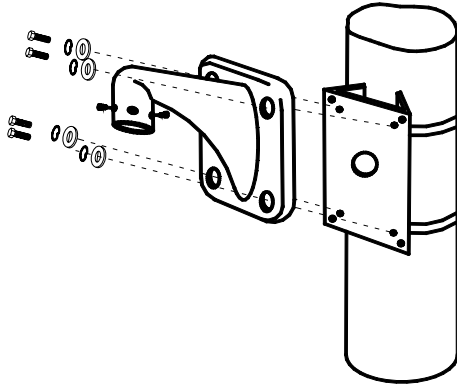
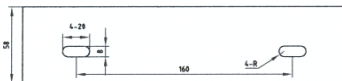
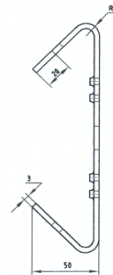
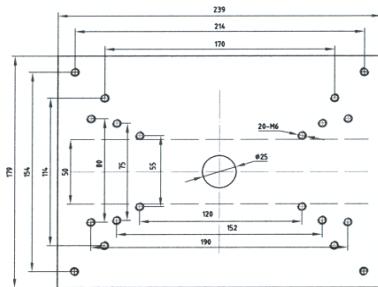


Pole Mount



Construction



Attention:

The pole of caliber is $\Phi 100$ -- $\Phi 150$ mm

Accessories



M6×20 stainless steel ×4



Φ6 spring washer ×4



Φ6 flat washer ×4

Power Box (optional)

